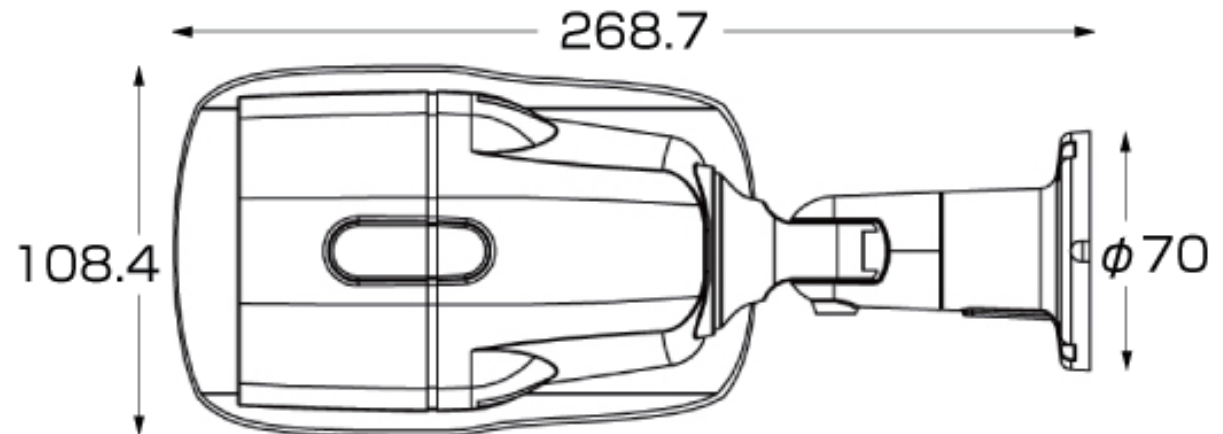
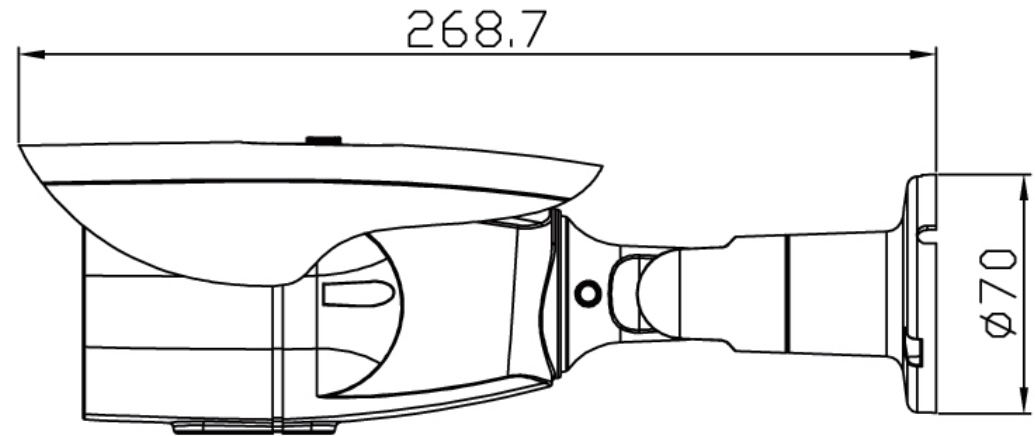
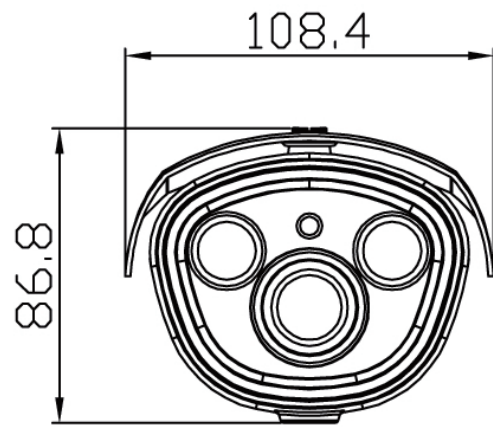


BDU8121R-V3611



TOLERANCES		MATERIAL		日本映像システム株式会社	
NAME	DATE	PROJECTION		PART NAME	BDU8121R-V3611
DRAWING		SCALE		MODEL NO.	
DESIGN		UNIT	mm	PART NO.	
CHECKED				DWG. NO.	
				SHEET. NO.	