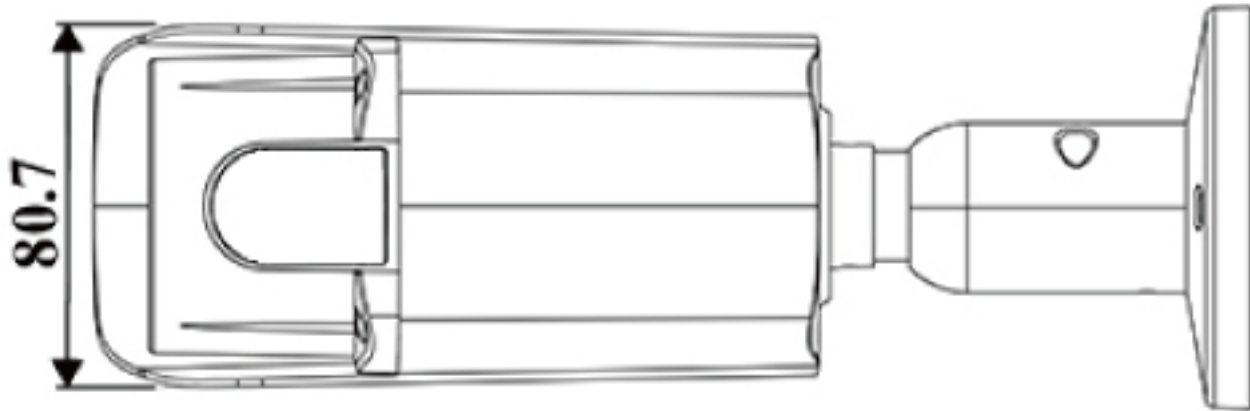
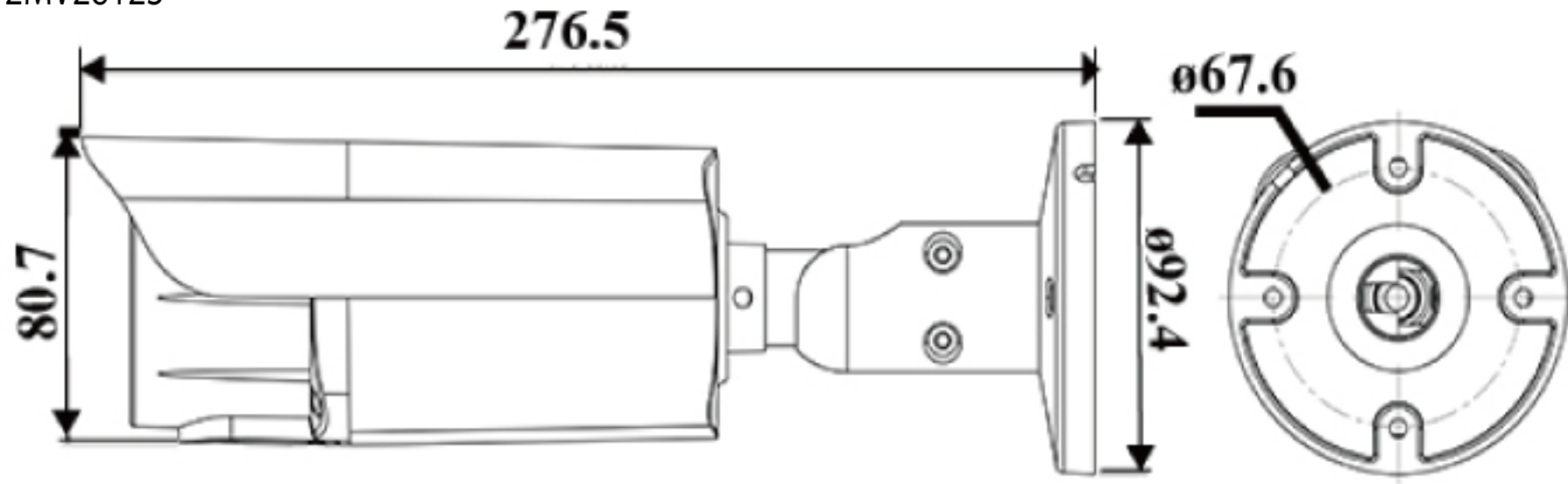


BKU-412MV2812
BKF-212MV2812S



BKF-210MV2812S

REV.	DATE	DESCRIPTION	UNDERTAKER

TOLERANCES		MATERIAL		日本映像システム株式会社			
NAME	DATE	PROJECTION		PART NAME			
DRAWING		SCALE	A3-15	MODEL NO.		DWG NO.	
DESIGN		UNIT	mm	PART NO.		SHEET NO.	1/1
CHECKED						REV. NO.	