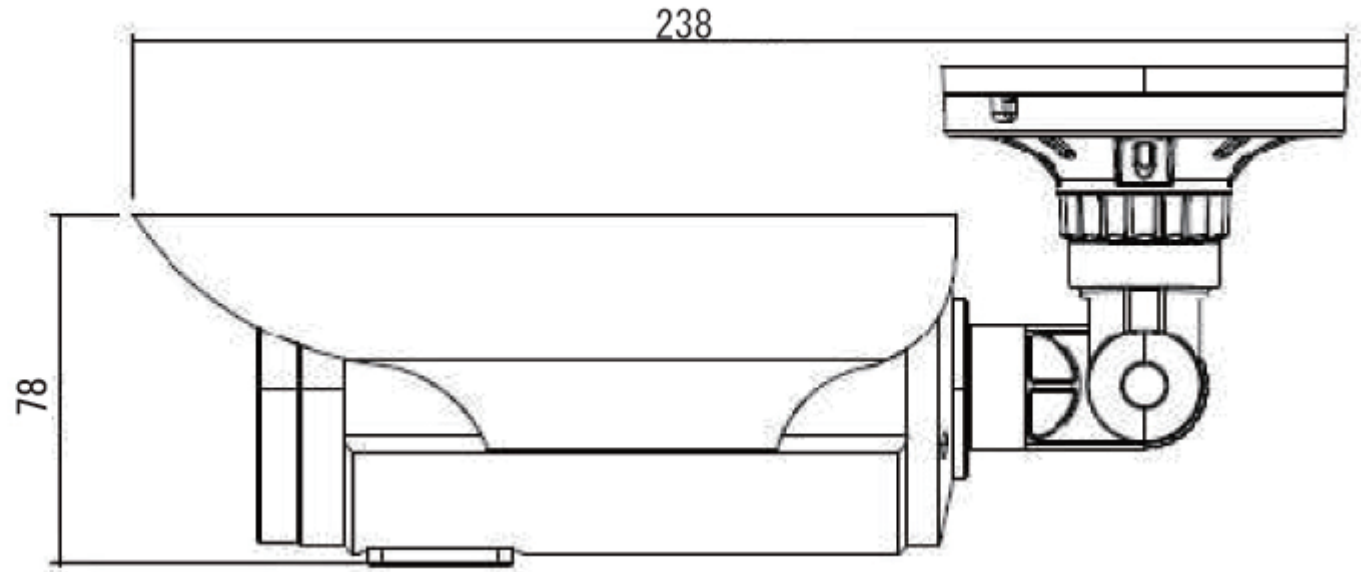
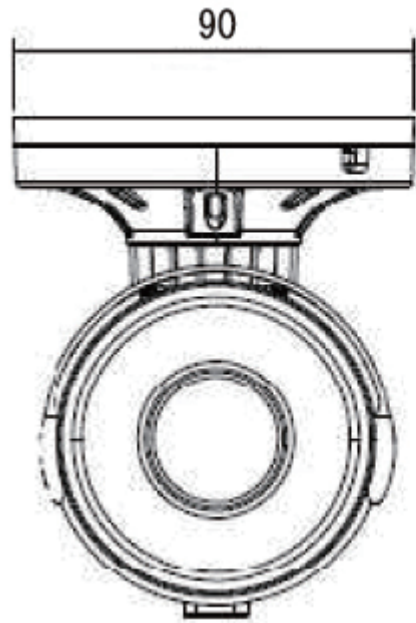


# BQ-NB10V2812



TOLERANCES		MATERIAL		日本映像システム株式会社			
NAME	DATE	PROJECTION		PART NAME	BQ-NB10V2812		
DRAWING		SCALE		MODEL NO.		DWG. NO.	
DESIGN		UNIT	mm	PART NO.		SHEET NO.	
CHECKED							