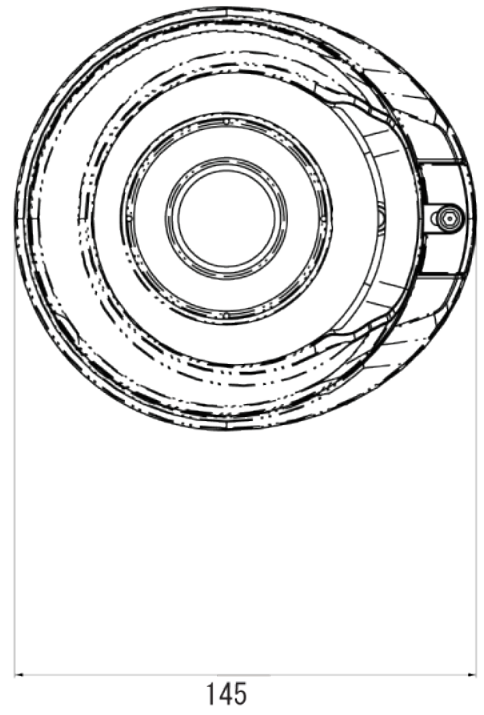
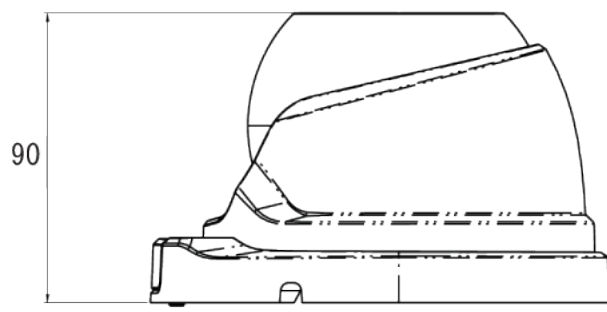


Tolerance								
RANGE	M1	M2	S1	S2	P1	P2	C	USR
0-6	0.05	0.10	0.15	0.20	0.05	0.10	0.50	
6-30	0.10	0.20	0.15	0.25	0.10	0.15	1.00	
30-60	0.15	0.25	0.20	0.30	0.20	0.40	1.00	
60-180	0.15	0.30	0.25	0.45	0.40	0.80	3.00	
180-315	0.20	0.50	0.40	0.60	0.40	1.20	3.00	
315-600	0.30	0.70	0.60	1.00	0.60	1.50	4.00	
ANG. TOL.	±0.5°	±1.0°	±1.5°	±2.0°	±1.5°	±2.0°	±3.0°	

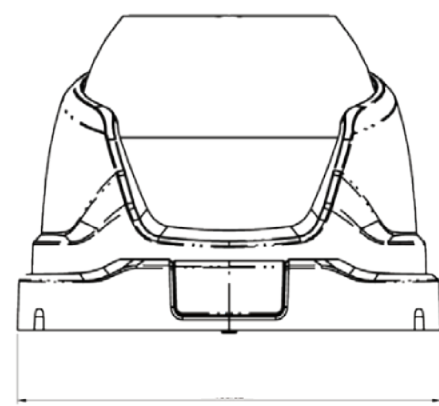
DDU412IR-V2713



145



90



134

REV	VERSION NOTE	SIGNATURE	DATE

DSN	SIGN	DATE	MATERIAL	FINISH	SCALE	UNIT	VER.	REL DATE	PART NO	TBD
TBD	TBD	17-09-14	TBD	TBD	1:1000	mm	TBD	17-09-14	DDU412IR-V2713	TBD
APPRO	TBD	17-09-14	TBD	TBD	TBD	TBD	TBD	TBD	NAME	TBD