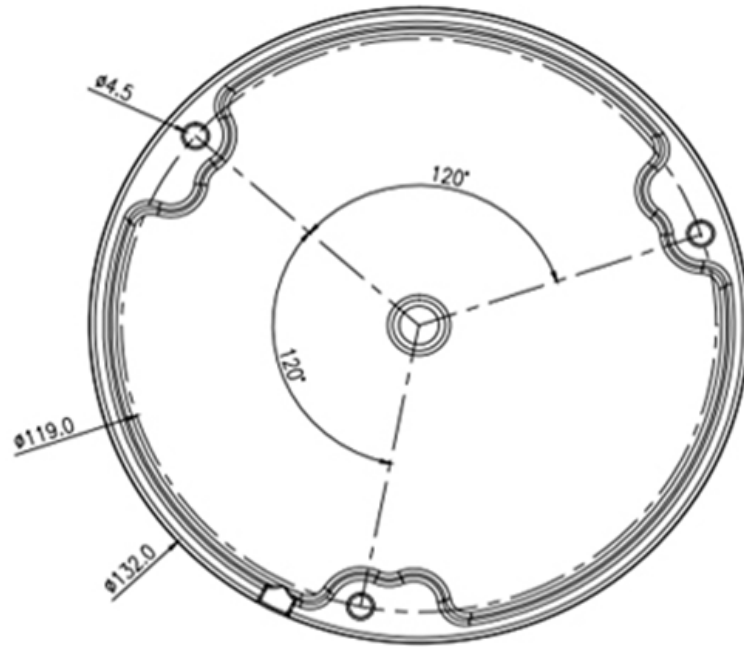
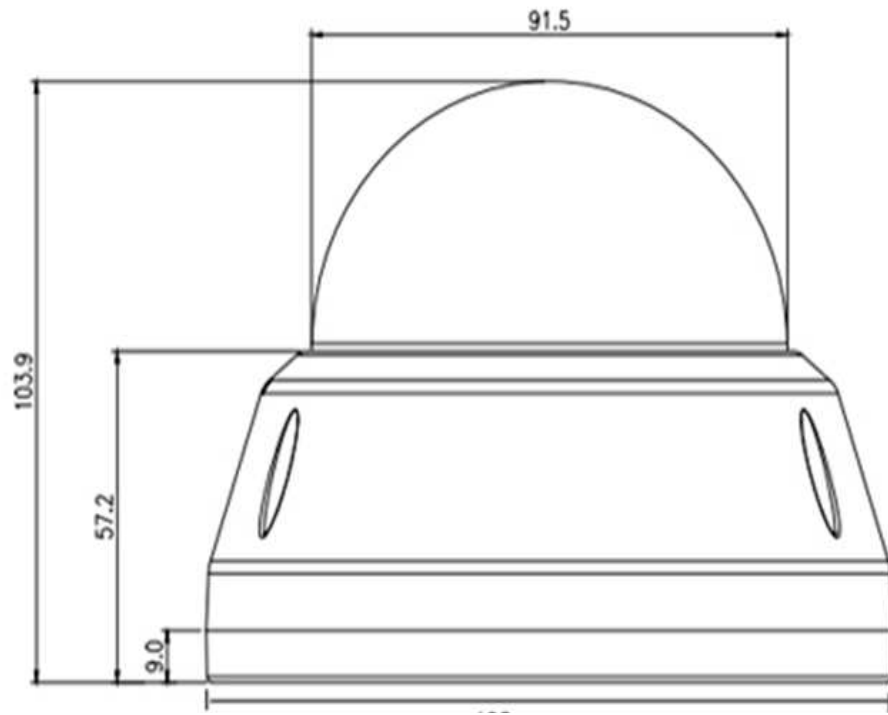


DKF-212MV2812S



REV.	DATE	DESCRIPTION	UNDERTAKER

TOLERANCES		MATERIAL		日本映像システム株式会社			
NAME	DATE	PROJECTION		PART NAME			
DRAWING		A3-15		MODEL NO.			
DESIGN		UNIT		PART NO.			
CHECKED		mm		SHEET NO.		1/1	
				REV. NO.			