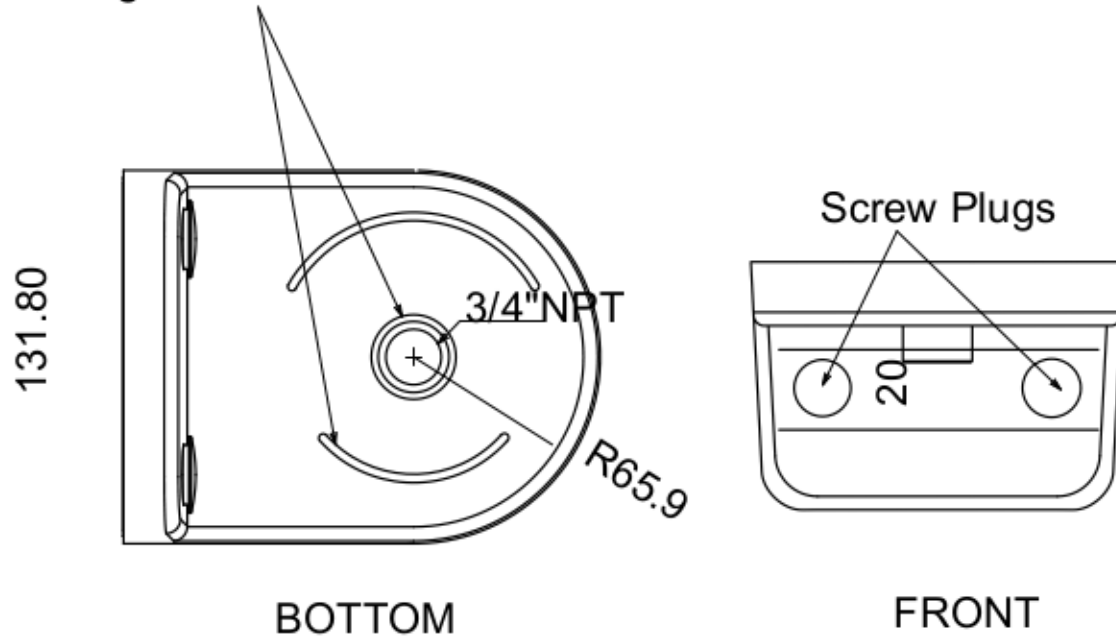


Securing Slots for Dome Enclosure



ITEM	REVISION	DESCRIPTION	APPROVED BY	DATE	DESIGNED BY	DRAW BY	MATERIAL
					DATE	DATE	SCALE
							UNIT

日本映像システム株式会社

MODEL NO.	<b>WB-DE1</b>	DRAWING NO.	
PARTS NAME	<b>External appearance</b>	SHEET NO.	
PARTS NO.		FOB NO.	